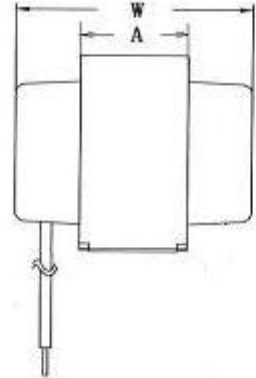
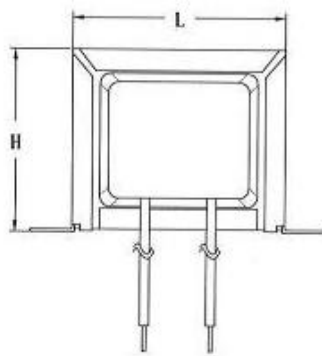


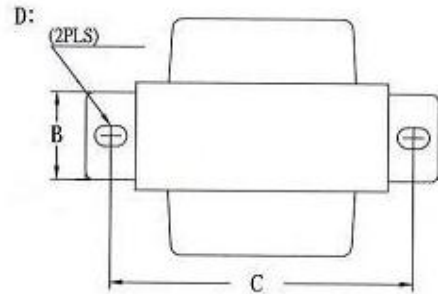
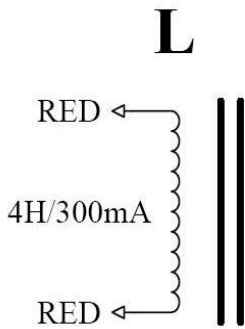
YinRan Electronics Ltd

Technical Data Sheet

Rating	50mA
Open Circuit Impedance (at 10V,60Hz)	1500ohms
Temperature Rise	65.0 °C max
Copper	QA
Core Material	Kawasaki steel
Flying leads length	300 ±10.0 (mm)
Flying leads Guage	stranded UL1015 18AWG
Core laminate finish	vacuum varnish
End Bell	silver zinc plated
Size	EI-57
Weight	0.6 kgs



Wiring Diagram:



Mounting:	(±0.5, mm)		
L	59	B	32
H	50	C	73
W	63	D	6.3 * 3.9
A	34		

*The technical specification is subject to change without notice;

*Designed and handcrafted by YinRan Electronics Ltd;

*We also build to customer's specification;

Chock P/N.: YR-CKME34PP-57	Date	Dec 25th 07	YinRan Electronics Ltd A4-101, Sunny Dwelling Shenzhen, China 518109 http://www.YinRan.com
	Dwg	Ver 1.0	
Designed&Crafted by	MC Qiu	Scale	N/A
Documented by	Sigma Cheung	ECN	N/A
THE DOCUMENT HEREIN IS THE EXCLUSIVE PROPERTY OF YINRAN.			
© YinRan Electronics Ltd / All Rights Reserved		Doc.: Ref. TDS07L-VER2.0	Sheet 1 of 1